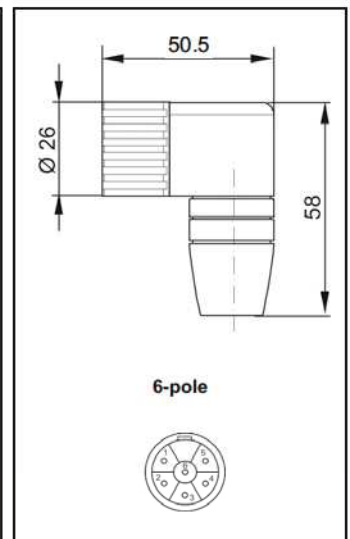
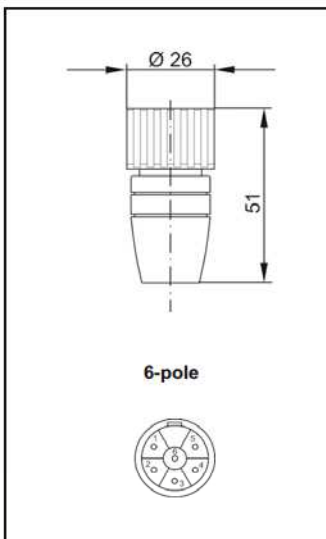


Accessories for SIDENT Safety Switches and WIDENT/P Position recognition Connectors

Connector; type of lead connection	socket; Crimp contacts	socket; Crimp contacts
Version	straight	angled
Pole number	6-pole	6-pole
Type designation; ref. no.	JKYfaZ-O-1; 13.99-49	JKTfrZ-O-1; 13.99-58
Housing material	metal	metal
Flange / Contact material and surface	CuZn nickel- / CuZn gold-plated	CuZn nickel- / CuZn gold-plated
Nominal voltage at 40 °C; contact resistance	300 V AC / DC; 19.5 A; < 5 mΩ	300 V AC / DC; 19.5 A; < 5 mΩ
Lead diameter	6.5 ... 8 mm	6.5 ... 8 mm
Terminal cross-section	0.5 ... 0.75 mm ²	0.5 ... 0.75 mm ²
Ambient temperature range	-30 ... +70 °C	-30 ... +70 °C
Protection rating acc. to IEC 60529	IP 67	IP 67
Protective insulation <input checked="" type="checkbox"/> according to IEC 947	protection class II	protection class II
Weight		
Manufacture	Coninvers RC	Coninvers RC



Mounting - Accessories for SIDENT Safety Switches

Screws



Designation	self-tapping one-way screw	self-tapping one-way screw
Ref. no.	92.18-20	92.18-21
Type	metal screw	metal screw
Head	flat head	flat head
Diameter x Length	3.5 x 32 mm	4.8 x 50 mm
Material	one-way slot (tamperproof)	one-way slot (tamperproof)
to mount	stainless steel	stainless steel
	the actuating element:	the safety switch:
	SIDENT/B-22fv20-401	SIDENT on sheet metal surface
Designation	one-way screw with metric thread	
Ref. no.	92.18-22	
Type	metal screw	
Head	semicircular head	
Diameter x Length	M5 x 35 mm	
Material	one-way slot (tamperproof)	
to mount	stainless steel	
	the safety switch:	
	SIDENT	
Designation		
Ref. no.		
Type		
Head		
Diameter x Length		
Material		
to mount		

