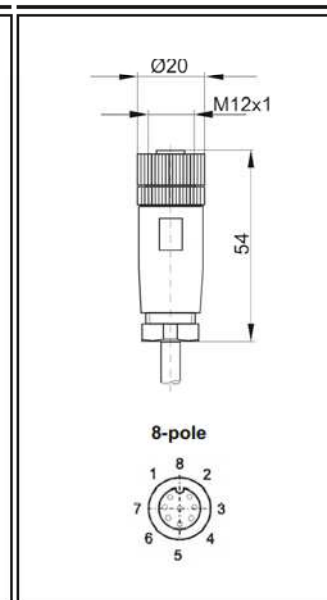
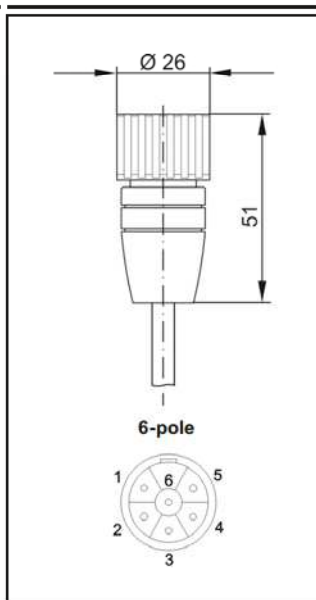


Accessories for SIDENT Safety Elements and WIDENT/P Position recognition Sockets with outgoing lead

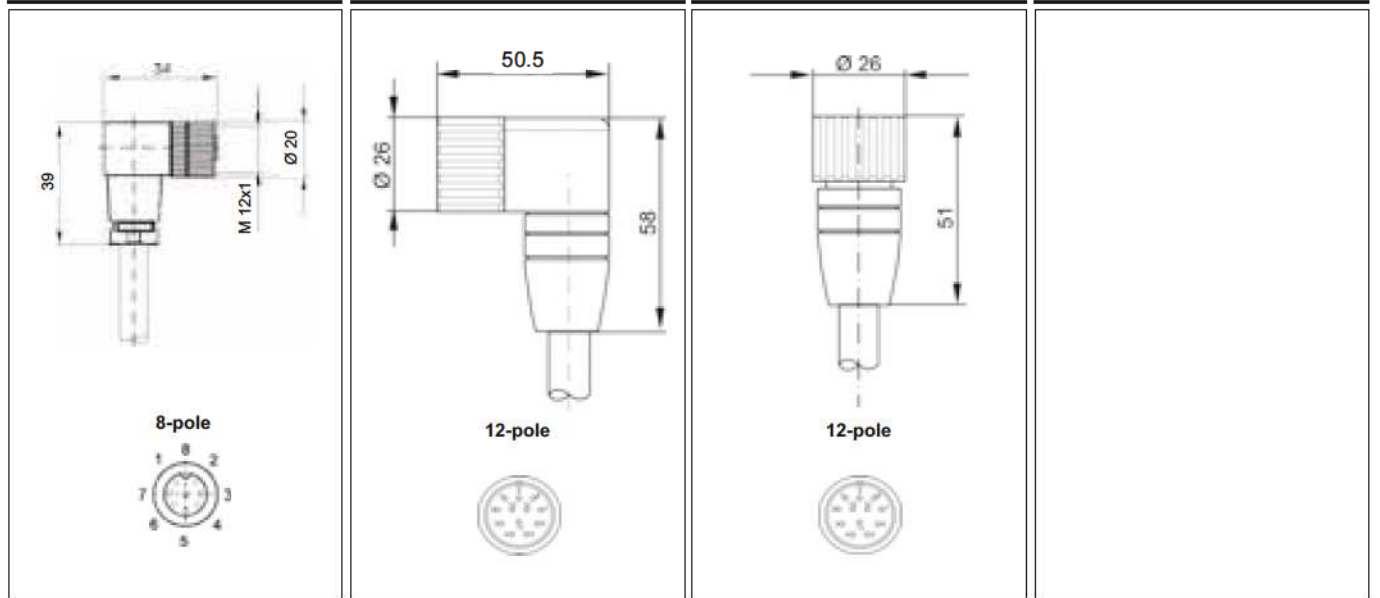
Connector	socket	M 12 x 1 socket
Version	straight	straight
Housing	metal	plastic
Flange	CuZn nickel-plated	CuZn nickel-plated
Contact material and surface	CuZn gold-plated	CuSn Zn
Connection type	Crimp contacts	screw terminals
Manufacture	Coninvers RC	Lumberg RKC
		Binder Series 713



Please indicate the lead length X for order.
(Standard value X = 5 m)

Pole number	6-pole	8-pole
Type designation; Ref. no.	VLG 6E/6S/X-1; 20.18-60	VLG 8E/6S/X-1; 20.18-53
Nominal voltage at 40 °C	300 V AC / DC; 19.5 A	30 V AC / 36 V DC; 4 A
Contact resistance	< 5 mΩ	< 8 mΩ
Shield	shielded	shielded
Number of single lines x cross section	6 x 0.25 mm ²	6 x 0.5 mm ²
Ambient temperature range	- 30 ... + 70 °C	- 30 ... + 70 °C
Protection rating acc. to IEC 60529	IP 65	IP 65
Protective hose <input checked="" type="checkbox"/> acc. to IEC 947	protection class II	protection class II
Weight		
Pole number	6-pole	8-pole
Type designation; Ref. no.	VLG 6E/6/X-1; 20.18-61	VLG 8E/6/X-1; 20.18-54
Nominal voltage at 40 °C	300 V AC / DC; 19.5 A	30 V AC / 36 V DC; 4 A
Contact resistance	< 5 mΩ	< 8 mΩ
Shield	unshielded	unshielded
Number of single cores x cross section	6 x 0.5 mm ²	6 x 0.5 mm ²
Ambient temperature range	- 30 ... + 70 °C	- 30 ... + 70 °C
Protection rating acc. to IEC 60529	IP 65	IP 65
Protective hose <input checked="" type="checkbox"/> acc. to IEC 947	protection class II	protection class II
Weight		

M 12 x 1 socket angled plastic	socket angled metal	socket straight metal
CuZn nickel-plated	CuZn nickel-plated	CuZn nickel-plated
CuSn Zn	CuZn gold-plated	CuZn gold-plated
screw terminals	solder contacts	solder contacts
Lumberg RKCW	Coninvers RC	Coninvers RC
Binder Series 713		



8-pole	12-pole	12-pole
VLG 8E/6S/X-2; 20.18-56	VLG 12E/12/X-2; 20.18-52	VLG 12E/12/X-3; 20.18-55
30 V AC / 36 V DC; 4 A	150 V AC / DC; 6.3 A	150 V AC / DC; 6.3 A
< 8 mΩ	< 5 mΩ	< 5 mΩ
shielded	unshielded	unshielded
6 x 0.5 mm ²	12 x 0.5 mm ²	12 x 0.5 mm ²
- 30 ... + 70 °C	- 30 ... + 70 °C	- 30 ... + 70 °C
IP 68	IP 65	IP 65
protection class II	protection class II	protection class II
8-pole		
VLG 8E/6/X-2; 20.18-57		
30 V AC / 36 V DC; 4 A		
< 8 mΩ		
unshielded		
6 x 0.5 mm ²		
- 30 ... + 70 °C		
IP 68		
protection class II		